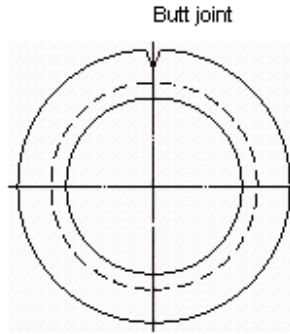
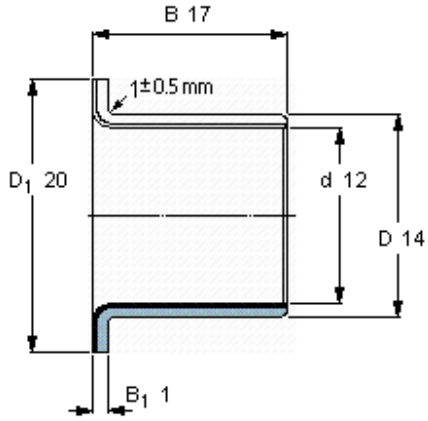


Composite dry sliding bushings, Composite dry sliding flanged bushings

Principal dimensions					Basic load ratings				Mass	Designation
d	D	D ₁	B	B ₁	radial dynamic C	static C ₀	axial dynamic Ca	static C ₀		
mm					kN				kg	-
12	14	20	17	1	14,3	45	9,15	28,5	0,0066	PCMF 121417 E



Specific load factor
Material constant

K 80
K_M 480